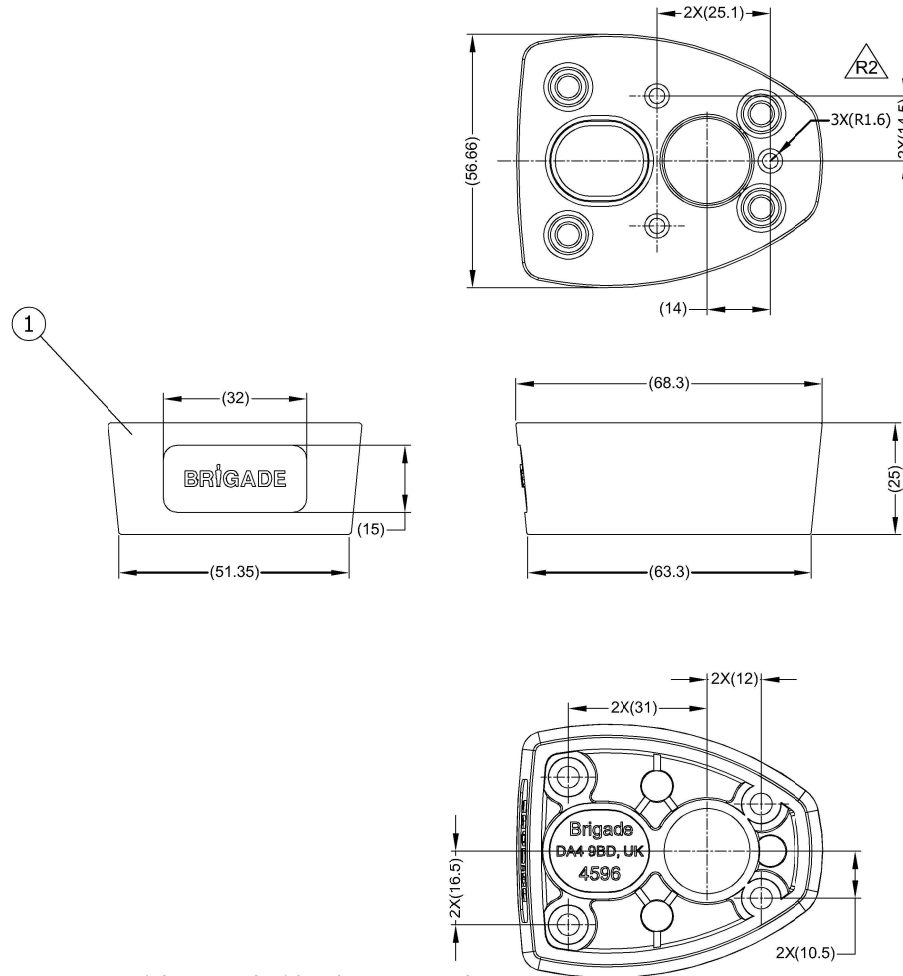
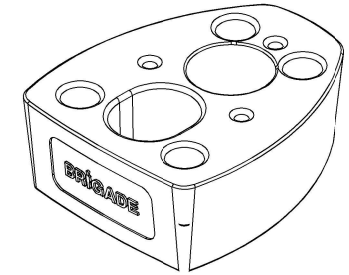


Revision Notes.				
R1 - CHANGES TO MATERIAL FROM TPU TO PVC IN ORDER TO TACKLE IMPERFECTIONS AS PER CR-A337				
APA: J.YUAN	Drawn:A.FEDERIGHI	Checked:R.BATES	Approved:S.MATTHEWS	Date: 20/01/2015
R2 - RADIUS OF TOP MOUNTING HOLES CHANGED FROM R1.5 TO R1.6 TO MATCH PRODUCT AND 3D CAD.				
APA: S. SONG	Drawn:S.GOVENDER	Checked:F. Ademuji	Approved:R. PENTLEY	Date: 25/02/2022

ITEM	PART NO	MODEL NO	QTY	MODEL / DESCRIPTION
①	N/A	SM-3XX-25	1	25MM SPACER
②	(4712)	SM-3XX-25-IG	1	INSTALLATION GUIDE (NOT SHOWN)
③	(4595)	VBV-3XXC-RM	1	RUBBER MAT (NOT SHOWN)
④	N/A	FIXING SCREWS	4	GENERIC ST5X25 SELF-TAPPING SCREWS (NOT SHOWN)



NOTES:

- REFER TO COMPONENT DRAWINGS BE-002730-00-13 & SV01035 FOR COMPONENT DETAILS.
- MATERIAL: PVC, BLACK, HARDNESS 90±5HA.
- FOR GIFTBOX LABEL REFER TO LATEST REVISION OF DRAWING BE-001049-XX-10.
- SUPPLIED IN A 125X190 CLEAR PRESS SEALED BAG.

PROPRIETARY NOTICE

THIS DESIGN AND TECHNICAL INFORMATION APPEARING ON THIS DRAWING IS THE PROPERTY OF BRIGADE ELECTRONICS, AND IS DISCLOSED IN CONFIDENCE. IT IS NOT TO BE COPIED, REPRODUCED, REVEALED TO OR EXPROPRIATED BY OTHERS, EITHER IN WHOLE OR IN PART WITHOUT THE EXPRESS WRITTEN CONSENT OF BRIGADE ELECTRONICS.

BRIGADE[®]
www.brigade-electronics.com

Assembly Pl Approval G. WU	Approved by B. JOHN	Checked by R. BATES	Drawn by A. FEDERIGHI
Angle of Projection 	Units mm	Scale N/A	Released 03/06/14
	Status RELEASED	Assembly Ref SM-3XX-25	
	Part No 4596	BE-002799-02-14	